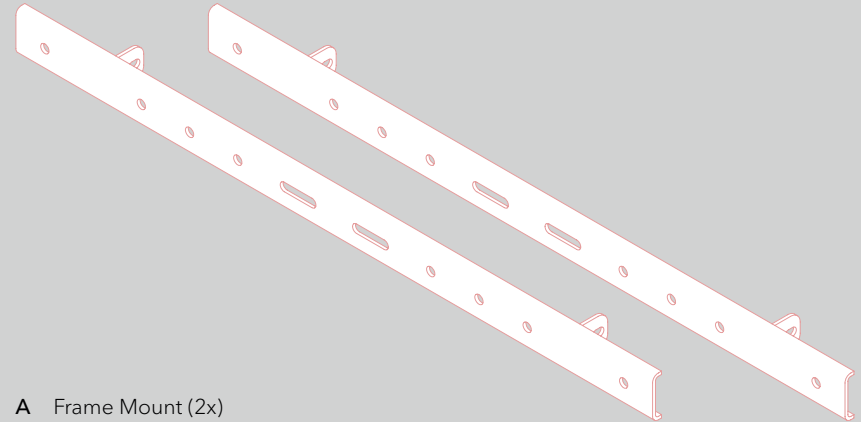


Screen Mount

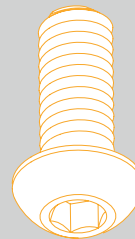
Assembly instructions Mobile Frame 1,9m and 1,2m



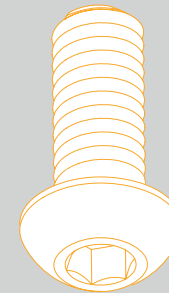
Scope of delivery



A Frame Mount (2x)



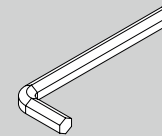
B Panhead Screw M6 (8x)



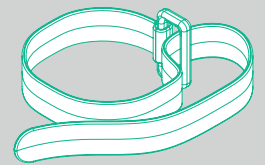
C Panhead Screw M8 (4x)



D Lock Washer M8 (4x)



E Allen Key



F Cable Tie (3x)

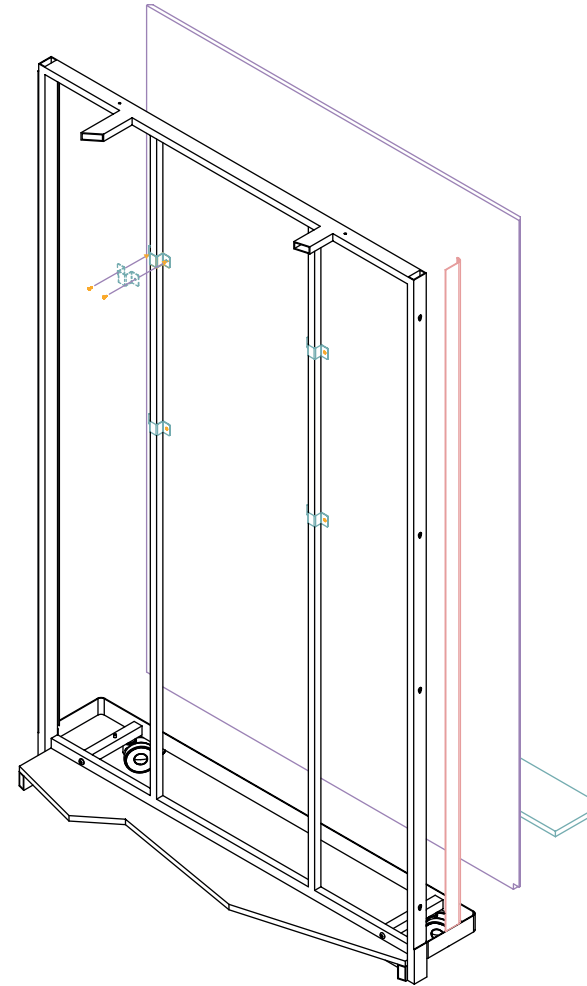
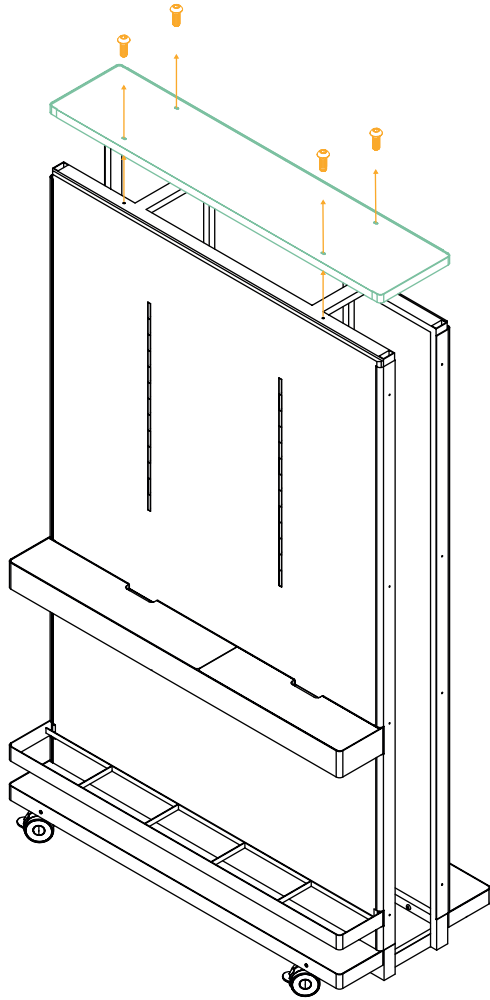
We strongly recommend the installation of the screen with our Frame Mount by 3 persons, 2 people carrying the screen while a third person does the installation. Studiotools Frame Mount is compatible to VESA Standard 50 mm * 50 mm up to 400 mm * 600 mm

Max. 85" screen and 90 kg

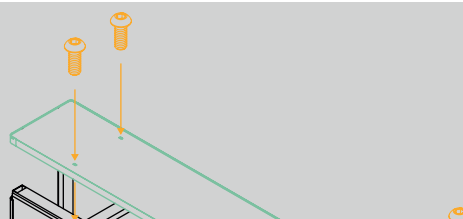
In case of any uncertainties or difficulty in understanding, please contact us before you start the assembly.
Diese Montageanleitung ist in Englisch verfasst. Falls Sie etwas nicht verstehen oder Unklarheiten bestehen, kontaktieren Sie uns bitte bevor Sie mit der Montage beginnen.

I Get access to screen mount by removing backpanel (top lid, sidecover, footcover, backpanel)

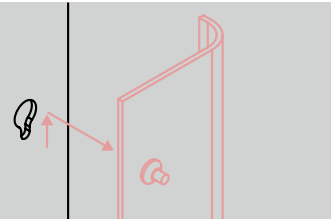
Mobile Frame 1,2m



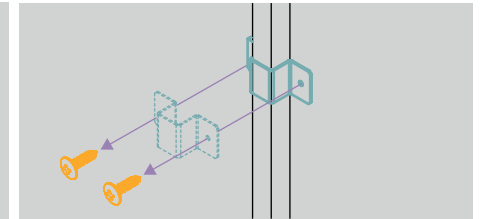
1. Remove top lid



2. Remove Sidecover

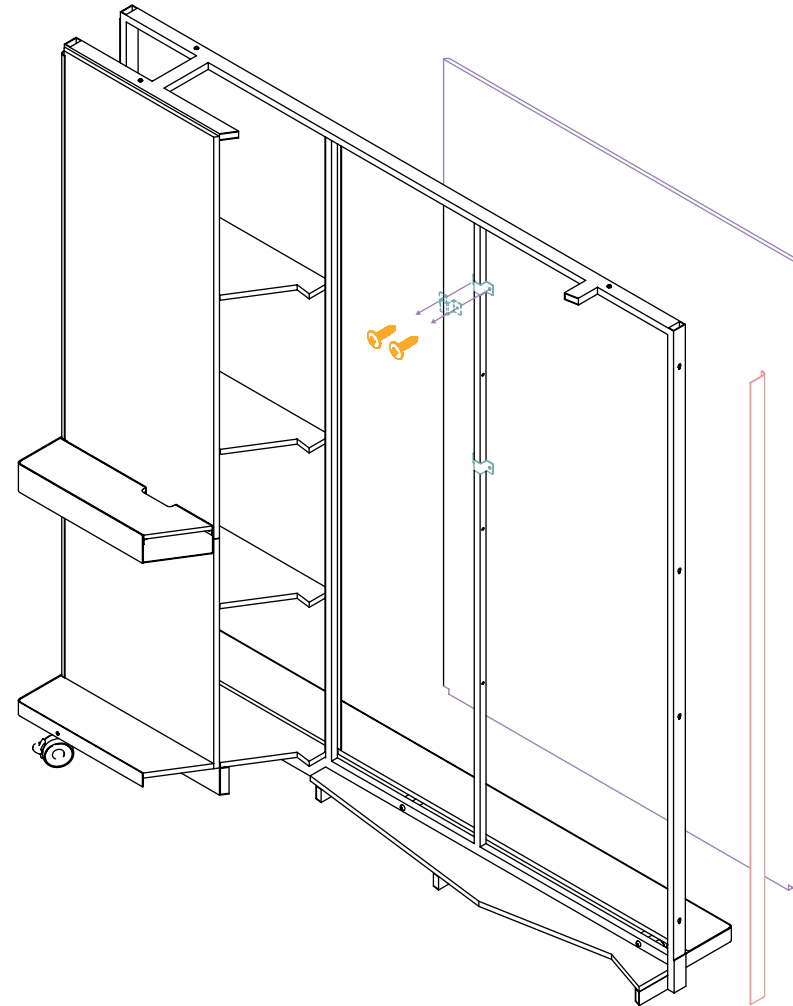
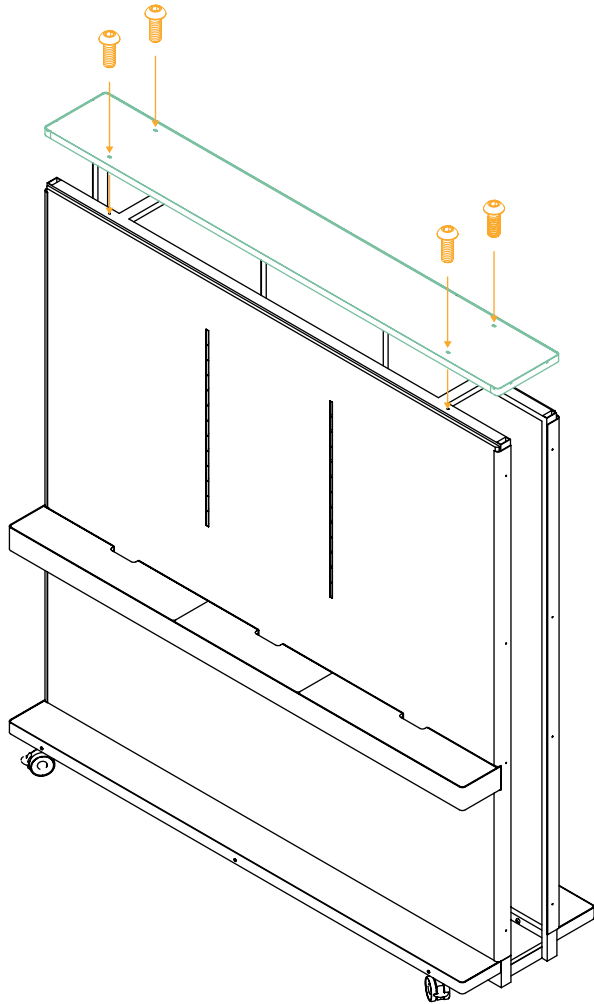


3. Remove Backpanel



I Get access to screen mount by removing backpanel (top lid, sidecover, footcover, backpanel)

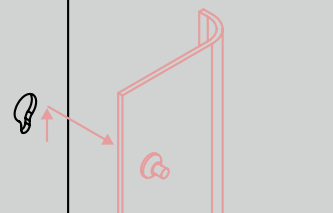
Mobile Frame 1,9m



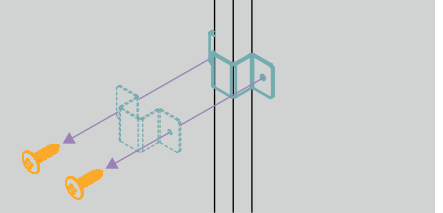
1. Remove top lid



2. Remove Sidecover



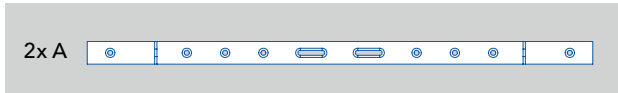
3. Remove Backpanel



II Screen Mount on screen and felt cutouts

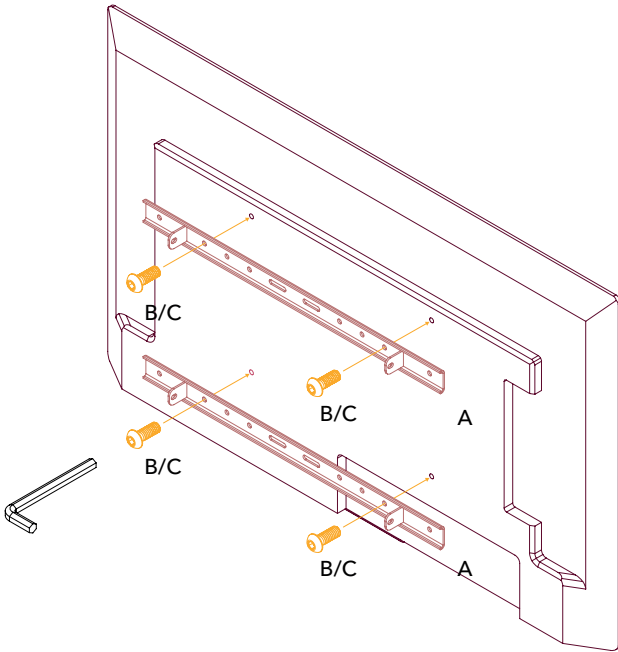
! Studiotools Frame Mount is compatible to VESA Standard 50 mm * 50 mm up to 400 mm * 600 mm

Screw VESA Mount according to the VESA Standard of your individual TV screen. Tighten the screws firmly.



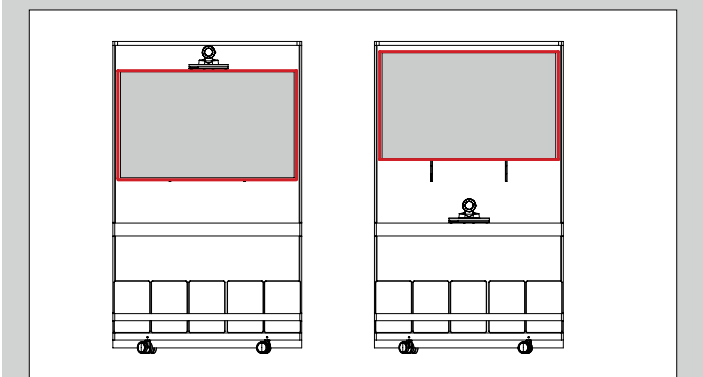
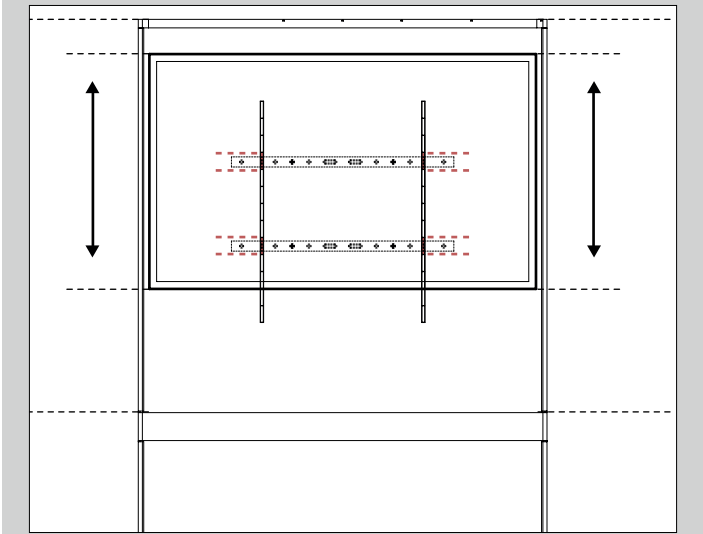
Screws depend on the threaded inlets of your screen

A+B/C



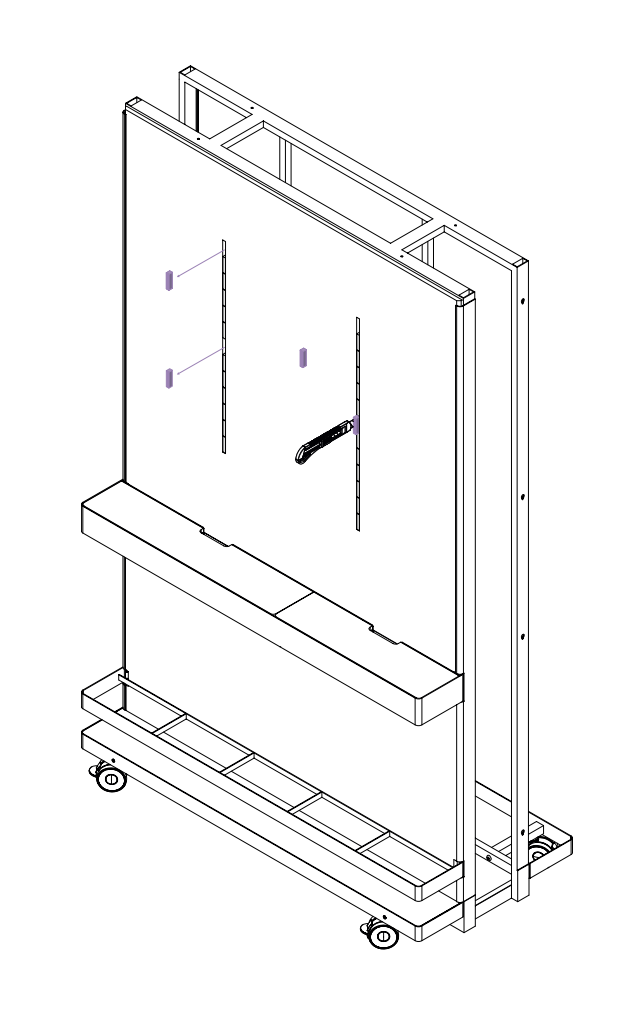
***** Felt cutout tips

Important: At least 2 people required. 1 (or 2) holding screen and 1 checking which cutout to do.
Depending on the size of your screen, the VESA Standard and it's location at the back of your screen you can decide which of the 50 mm * 10 mm cutouts you want to remove.

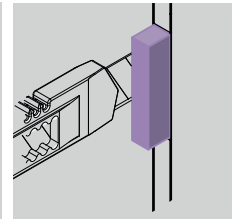


Keep in mind where you want to put your conference camera system and how much space it needs.

Cut out holes for VESA Mount ***** Felt cutout tips



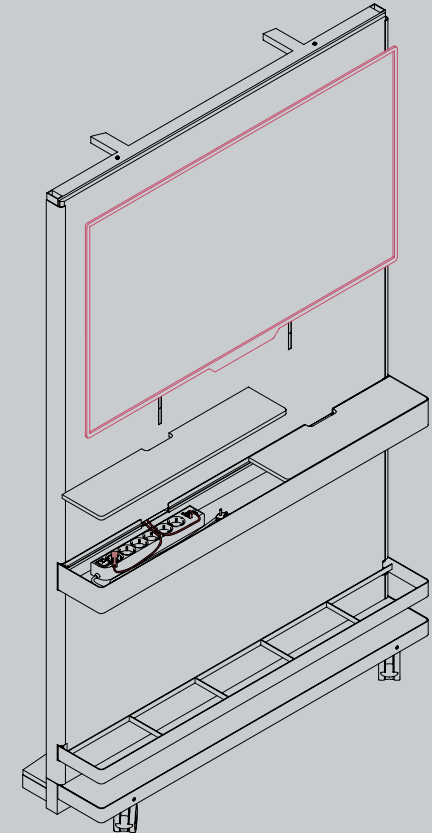
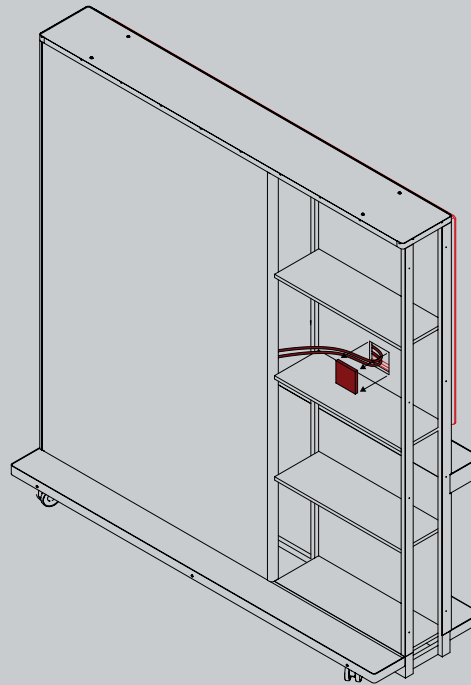
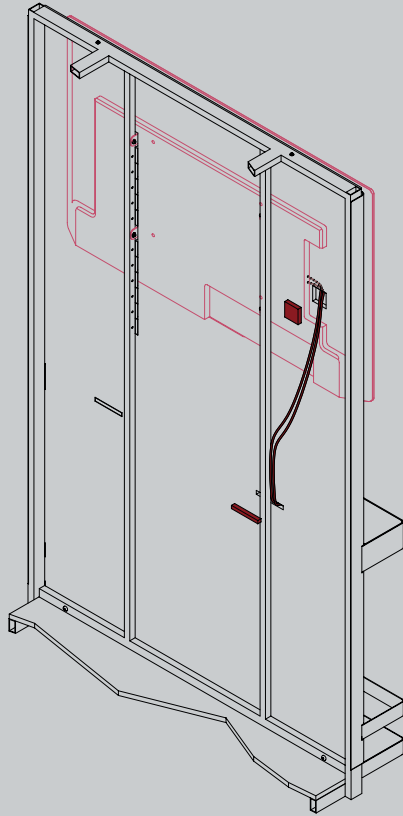
Only use sharp knife.
Carefully cut along perforation



III Hidden cables (OPTIONAL)

*

If you want to hide the cables behind the panel you need to locate the exact place of the cable terminal at the back of your screen and transfer the location to the panel. Cut out the hole for the cables carefully with a sharp knife. Studiotools cannot be held liable for any damage that may occur to the panel, TV or Mobile Frame. You make the cutout at your own risk.

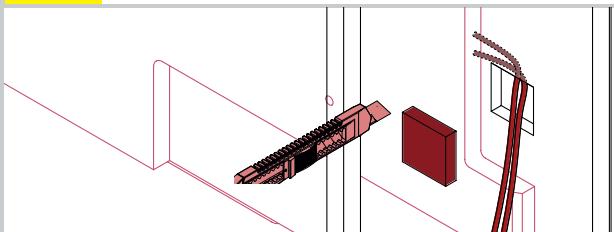


!

Keep in mind that depending on the location of the cable terminal your cutout and the cables could be visible from the backside of the Mobile Frame V19

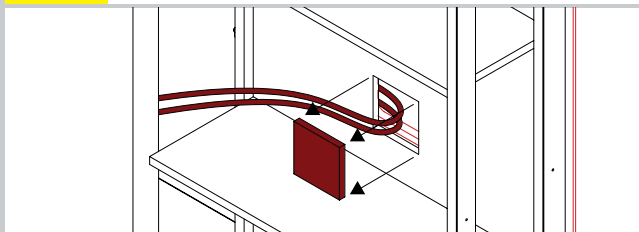
1

Locate cable terminal at the back of your screen and cut out small hole at the same place of the panel.



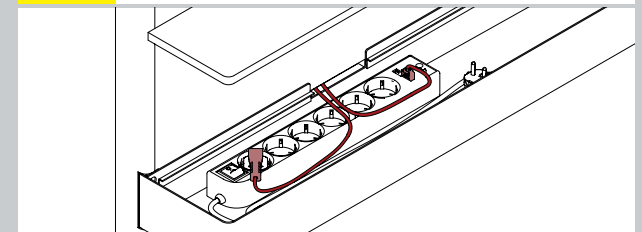
2

Insert cables through cutouts.



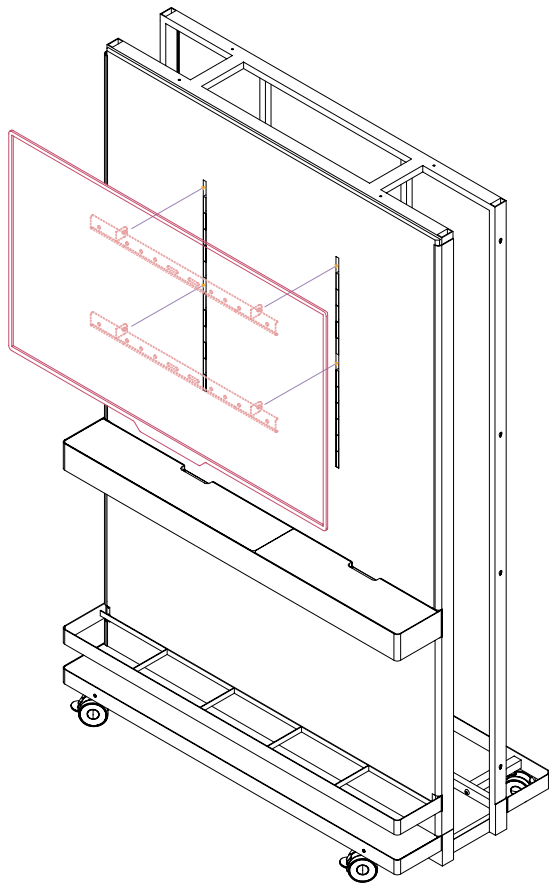
3

Pull the cables tight and stow it in the storage space.

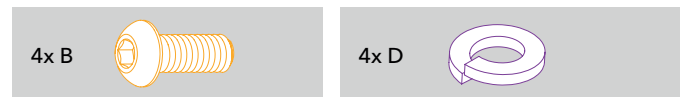


IV Slide Screen Mount Flaps through felt cutouts

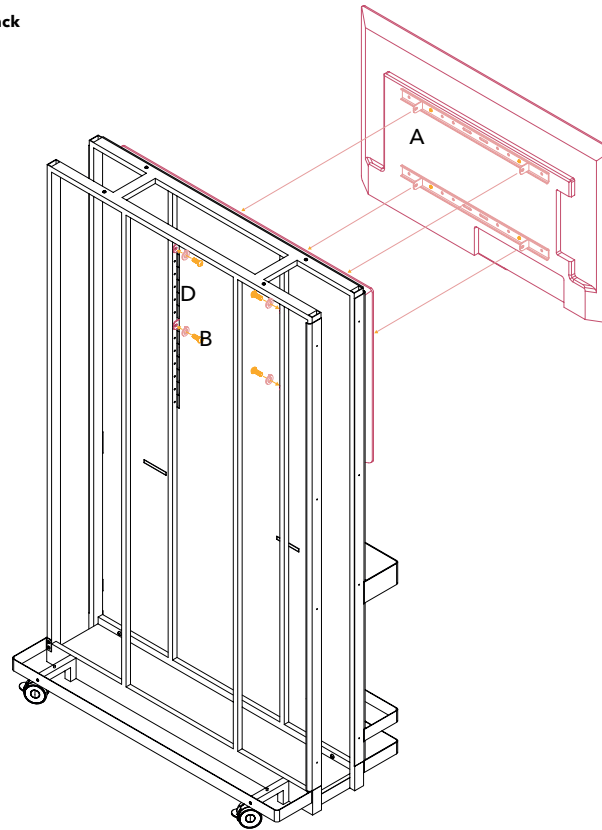
Front



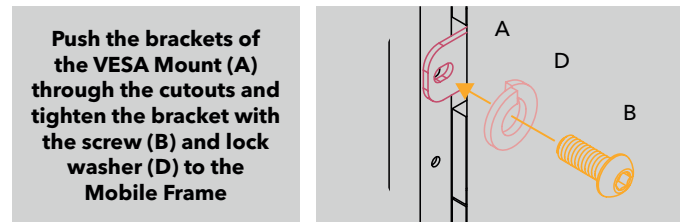
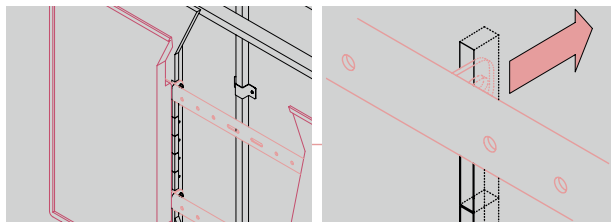
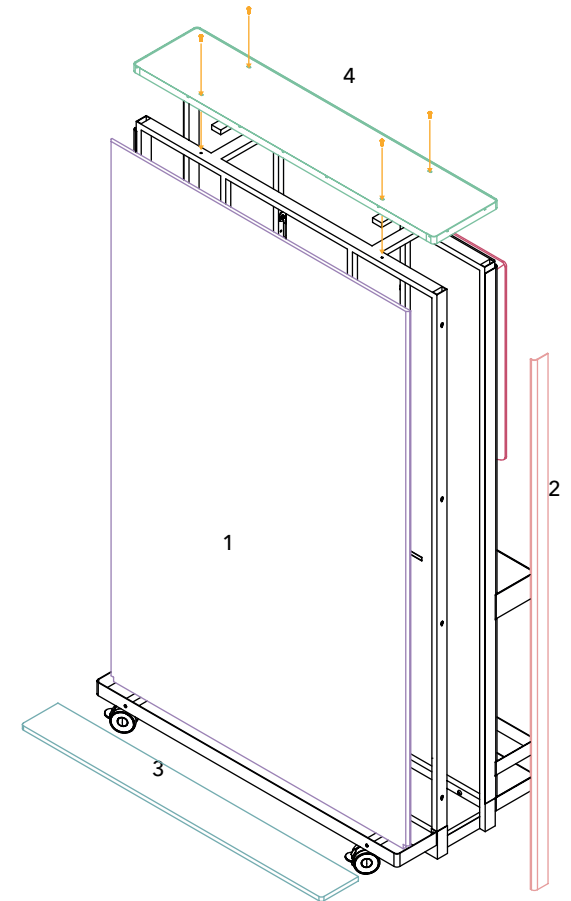
V Screw Screen Mount to the inside of the frame



Back

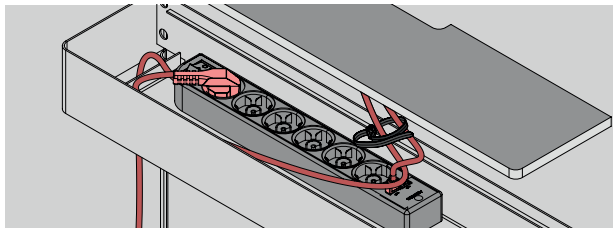
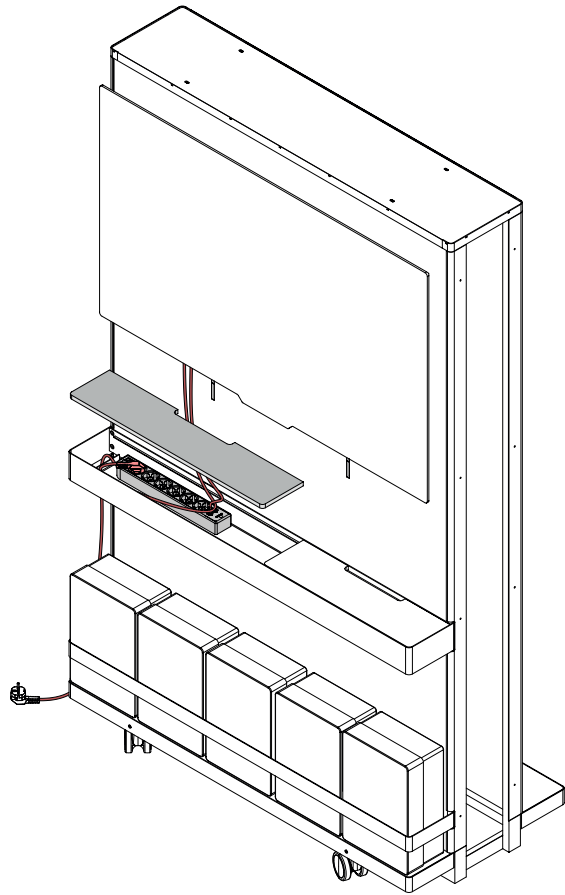


VI Reassemble the Mobile Frame



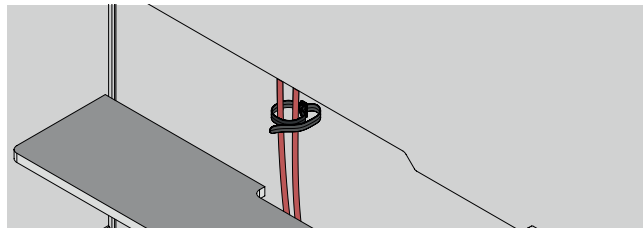
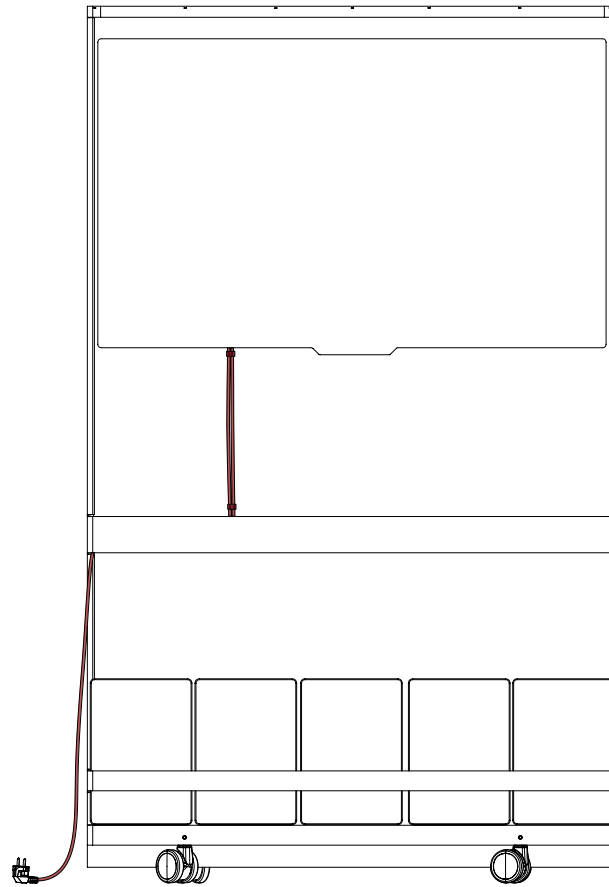
! Important!. Do not let loose of the screen until all 4 screws are tightened firmly. At least 2 people required. 1 (or 2) holding screen and 1 tightening the screws from the back.

VII Plugmanagement



VIII Cablemanagement

3x F



Loose cables or remotes can be stored in the tray below the screen.

