

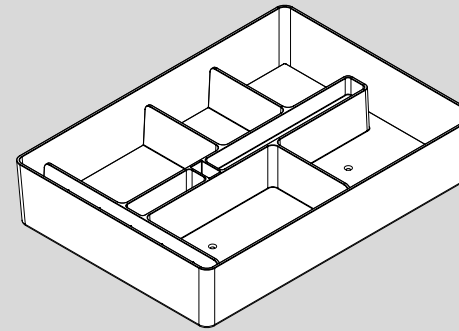
# Toolbox on Legs

Assembly instructions

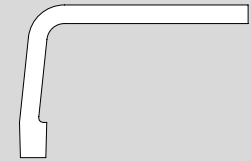


studio  
tools

Scope of delivery



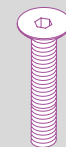
A Toolbox (1x)



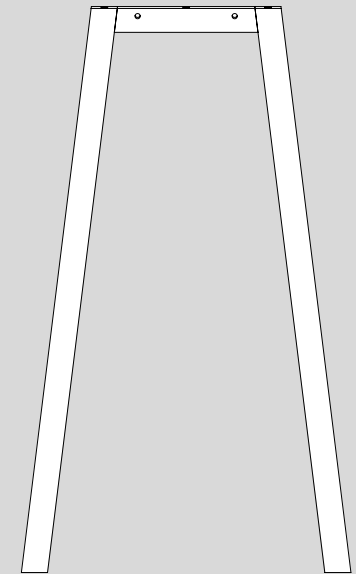
B Handle (1x)



C1 Hexagonal bolt small (1x)



C2 Hexagonal bolt large (4x)

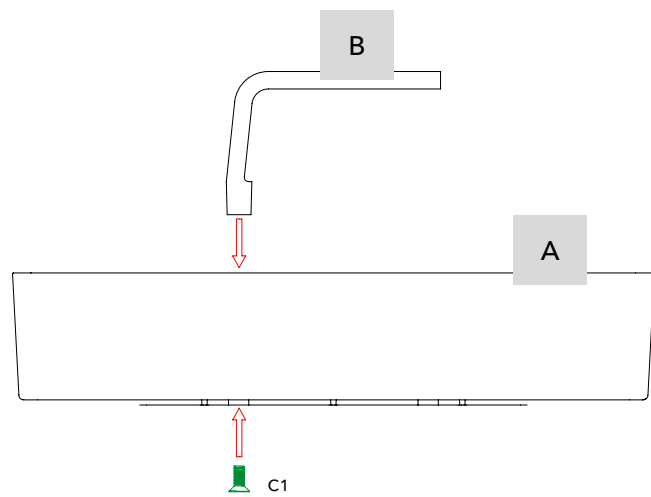
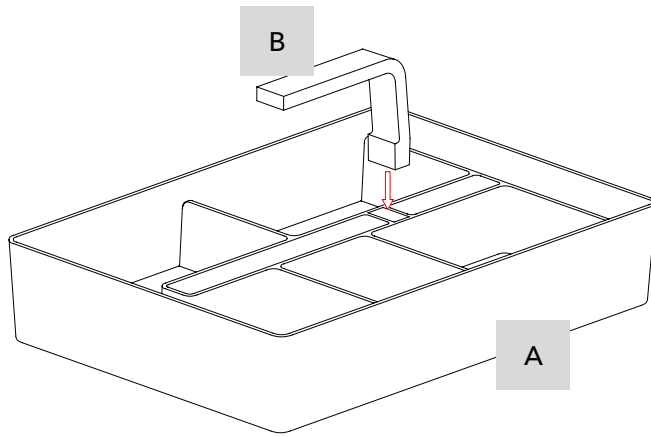


D Legs (2x)

## I Screw handle to Toolbox

A + B

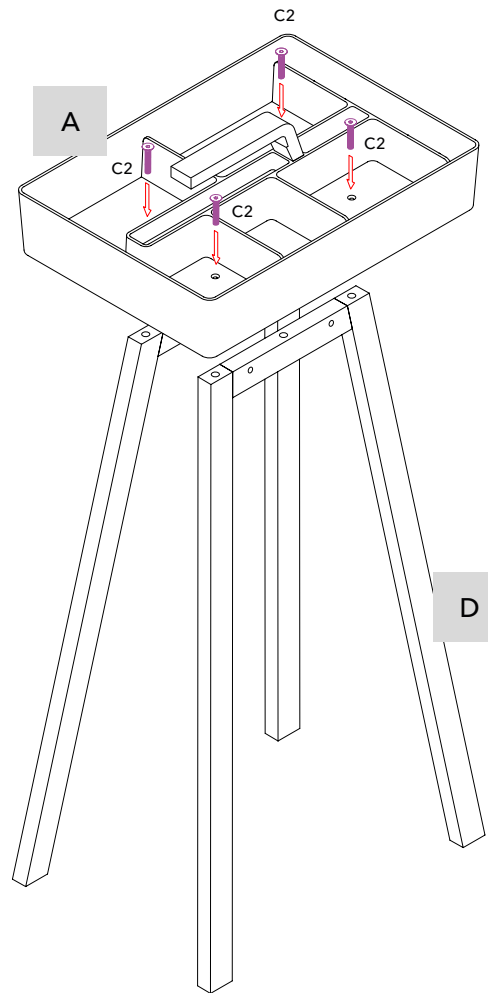
1x C1



## II Screw legs to Toolbox

A + D

4x C2



To prevent damage, assemble the object on a soft surface.